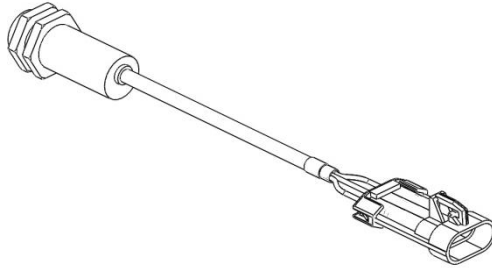




Rotation Counter Installation Manual



Ft. Atkinson, Wisconsin USA



Panningen, The Netherlands

www.digi-star.com

INTRODUCTION

Thank you for upgrading your scale indicator for use with the grain cart AutoLog feature. With this feature, the rotation counter sensor allows for the indicator to count the number of revolutions of the PTO shaft which in turn allows the unit to “Automatically Log” Field, ID and weight information without the need for pressing the Start/Stop Button. In this way, one can be ensured that data will never be lost due to forgetting to press the Start/Stop button and data will be more accurately recorded. Through this installation manual, you will be guided through the steps necessary to install the rotation counter sensor and cabling for the AutoLog feature on your grain cart.

CONTENTS

1. Cable- RC Sensor “Y” (PN: 407201)
2. Cable- RC Sensor 16 Foot Extension (PN: 407200)
3. Sensor- Rotation Counter with Connector (PN: 407199)
4. Target- Square Tubing with Adhesive (PN: 407419)
5. Clamp- Hose Size 24 SS (PN: 407451)
6. Bracket- RC Sensor Mounting (PN: 403014) –Not Shown in Figure 1

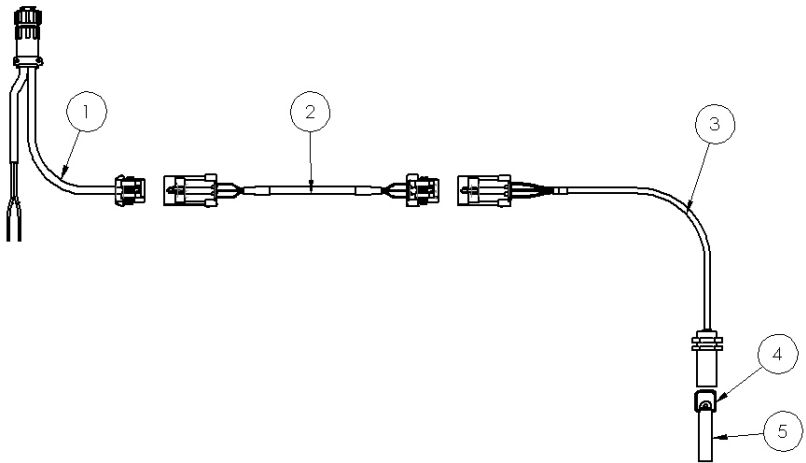


Figure 1: Hardware Diagram

INSTALLATION INSTRUCTIONS

1. Clean PTO shaft with wire brush where applying target and wipe down with cleaning agent.
2. Peel off adhesive backing on target.
3. Attach target, adhesive side down, securely to PTO shaft with hose clamp as shown in Figure 2. Place hose clamp screw head inside target as shown in Figures 2 and 3.

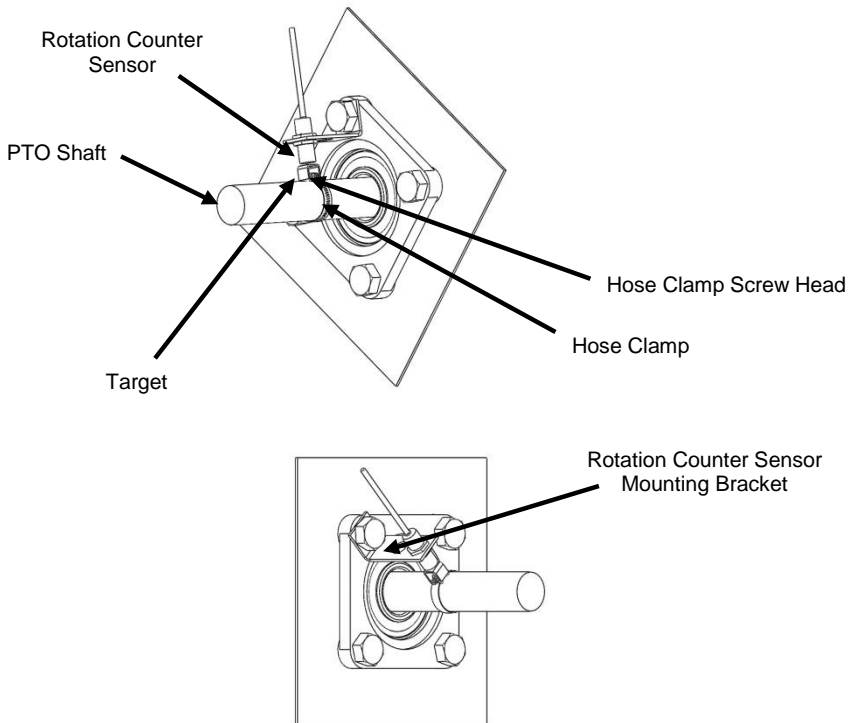


Figure 2: Target Installation

Important: The installation diagrams show safety shields removed in order to show additional details. Never operate equipment without safety shields in place. Adding the target to a rotating shaft may require additional shielding and is not provided. Consult your original equipment manufacturer.

4. Attach Rotation Counter Sensor Mounting Bracket to grain cart as shown in Figure 2.
5. Adjust sensor to 1/8" (3mm) from target as shown in Figure 3.

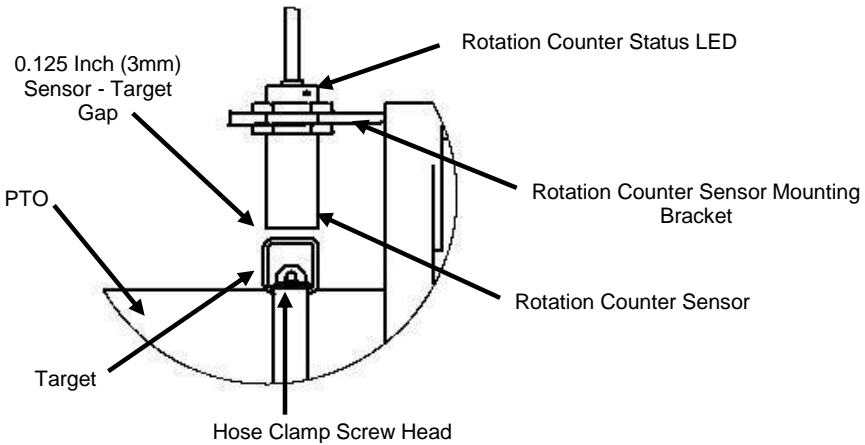


Figure 3: Rotation Counter Sensor Adjustment

6. Connect supplied cabling as shown in Figure 1 and wire RC Sensor "Y" Cable to power supply as shown in Figure 4.

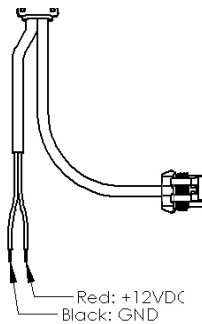


Figure 4: RC Sensor "Y" Cable Power Connection

TESTING THE SYSTEM

1. With power applied, the Rotation Counter Status LED as shown in Figure 3 will turn “On” when it senses the steel target.
2. If sensor LED is constantly “On”, move sensor from target slightly. The target should light sensor LED **only** when PTO is spinning or when target is directly in line with sensor as shown in Figure 3.
3. Once the PTO has gone above the set minimum RPM speed (RSSMIN) and tolerance RPM speed (RSSTOL) for the desired start time delay (RSSTDY), you should expect to see the indicator display “START”.
4. When the PTO has gone below the RSSMIN for the RSSTDY, you should see, “STOP” and “PRINT”. Your Field ID, Time Stamp and Weight information should be recorded.



WARNING

Failure to install this system properly could result in sensor and equipment damage. Please read this document thoroughly before engaging PTO.



WARNING

Failure to keep sensor clear of dirt and debris could result in sensor and equipment damage.



WARNING

The installation diagrams show safety shields removed in order to show additional details. Never operate equipment without safety shields in place. Adding the target to a rotating shaft may require additional shielding and is not provided. Consult your original equipment manufacturer.